

Conexis™ Series – CX-3040

Conformal coating that combines flexibility and modularity

Features and Benefits

- **Modular platform design allows options to be added as application needs change**
- **Up to three applicators can be mounted to support a wide range of applications**
- **User software with offline programming capability offers an intuitive interface and provides powerful process controls**
- **Welded frame and linear encoders increase speed and accuracy**
- **Automate your conformal coating process by leveraging our world-leading expertise in fluid dynamics, and award-winning global support network**

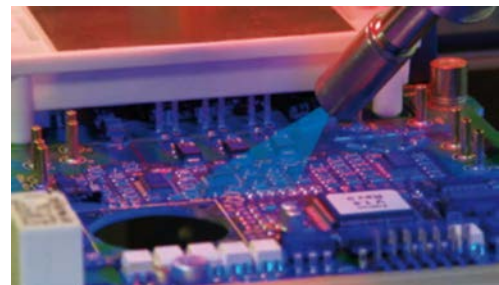
The Conexis CX-3040 conformal coating system provides both speed and flexibility and is ideal for mid-volume, high-accuracy applications. Linear encoders enable the system to reach a maximum speed of 700 mm per second and an overall accuracy of 50 microns. Additional features and options can be added to the coater as production needs change.

The Conexis system's software provides an easy-to-use interface with offline programming capability. The software's dispense library can store and monitor information about different materials, dispense valves, and other necessary criteria for ready access. Also, the software can monitor all air pressures (main air pressure, tank pressure, and atomizing air pressure) to provide expanded process control.

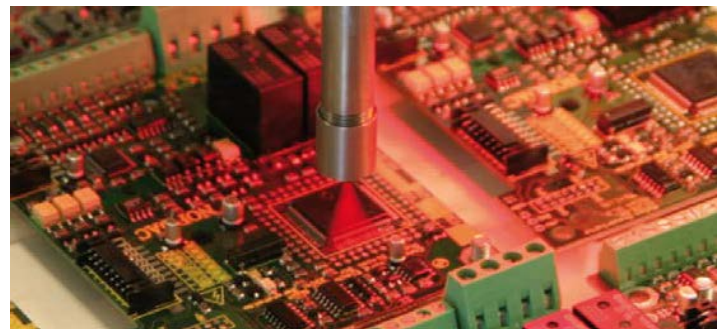
The Conexis system can be configured with many different dispense and spray valves, including the high-speed airless Curtain valve. Up to three valves can be mounted on the independent Z-axis, with two capable of tilting (4-axis) and rotating (360 degrees).



Conexis System configured for in-line



Spray valve at 45 degree angle



Spray valve in vertical position

Specifications: Conexis CX-3040 Series

Dimensions (LxWxH)

Stand-alone (CX-3041):	1330 x 970 x 1470 mm (+500 mm for signal light)
In-line (CX-3040):	1330 x 1430 x 1470 mm (+500 mm for signal light)

Motion System

Type:	Closed-loop servo drive with linear encoder
XY velocity:	700 mm/s
XY acceleration:	1 G (1000 mm/s ²)
Z-axis velocity:	250 mm/s
XYZ encoder resolution:	1 µm
Positional accuracy:	50 µm
Rotation (optional feature):	360 degrees (only with Z-axis with motorized rotation and tilt [DR-2010])

Work Area (based on one valve on Z-axis)

Batch:	525 x 420 mm Z-movement 105 mm
In-line chain conveyor:	525 x 410 mm Z-movement 105 mm

Board Clearance

Batch:	100 mm (top) 40 mm (bottom)
In-line chain conveyor:	100 mm (top) 100 mm (bottom)

Conveyor Systems

(without option that can cause restrictions)

Conveyor width (chain):	32 mm / 410 mm (manual or automatic adjustable)
-------------------------	----------------------------------------------------

Interface

Controller:	Integrated microprocessor controllers
User interface:	PC controlled running on Windows® with user interface software

Facility Requirements

Power requirement (peak):	200 VAC or 220/240 VAC, 50 - 60 Hz, 2500 Watt
---------------------------	--------------------------------------------------

Note: Optional 110 VAC available.

Air requirement:	6 bar, 85 PSI, 100 L/min
Extraction:	250 m ³ /h
Noise:	Noise emission during operation < 70 dB(A)
Weight:	510 kg without tanks

Standard Features

Batch conformal coating machine with PC, LCD monitor, key board, and trackball
Batch tooling plate with static PCB holder
Exhaust connection system with flow detection
Manual teaching camera (CCD) for alignment
Offline programming capability
One basic Z-axis and two open position for a 2nd and 3rd Z-axis
One solvent/purge station
Software-controlled system, material, and atomizing air pressures
Stainless steel cover

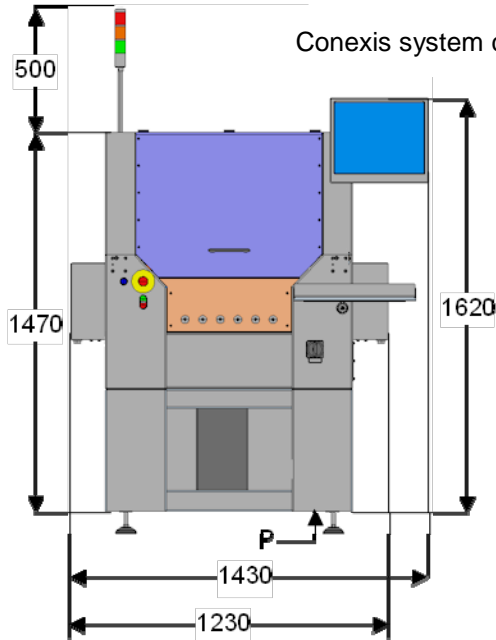
Optional Features and Configurations

Material and/or spray regulators with pressure control sensors (max. six regulators per machine)
Automatic chain conveyor with or without automatic width adjustment
Automatic needle calibration and/or cleaning unit (vacuum)
ESI Auto fiducial alignment software
Flow monitoring system
Material tanks and reservoirs with low level (empty) detection sensors
Motorized Z-axis with motorized rotation (360 degree) and pneumatic tilt (4th axis with tilt)
Signal light tower
SMEMA cable (2 meters)
Software interface for bar code recognition system for 1D or 2D
Static universal product holder in combination with four adjustable universal clamping blocks
Variety of needle, spray, and curtain valves

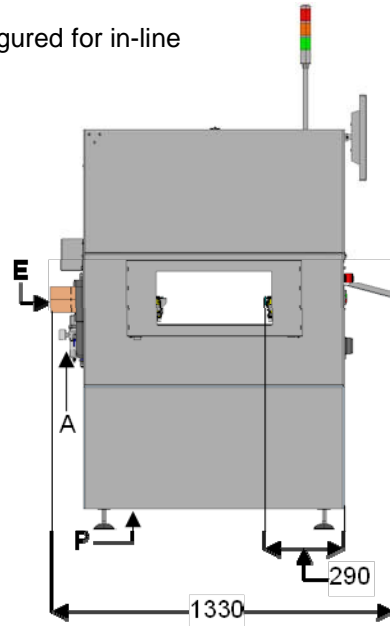
Additional options may be available: contact Nordson DIMA for further information.

Specifications: Conexis CX-3040 Series

Dimensions are in millimeters



Front view (mm)



Side view (mm)

For more information,
speak with your local
representative or
contact your regional
office.

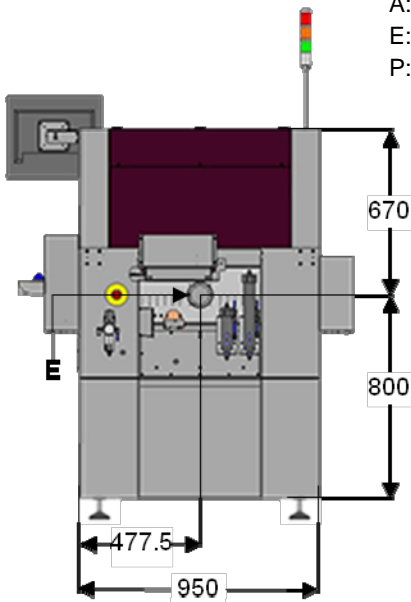
Nordsondima.com

Europe

Deurne, Netherlands
+31.493.352.752

info@nordsondima.com

- A: Inlet for air hose, on the backside of machine.
- E: Exhaust pipe (100 diameter), on the backside of machine.
- P: Outlet for power cable, on the bottom of machine.



Back view (mm)

Nordson DIMA

+31.493.352.752 Phone

info@nordsondima.com Email

Beukelsdijk 2, 5753 PA Deurne

The Netherlands

www.nordsondima.com

Published 2015-11-26

Page 3 of 3